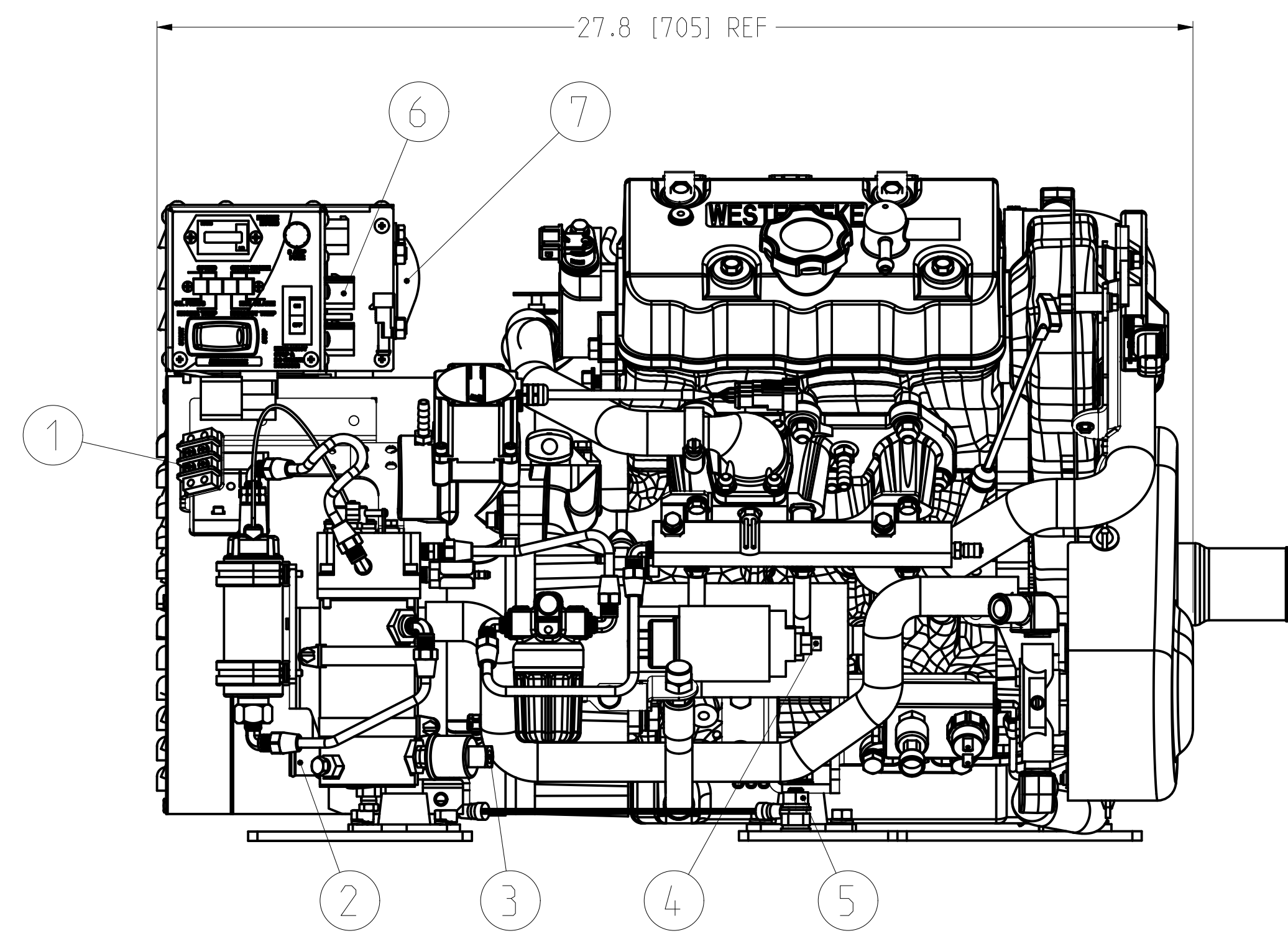
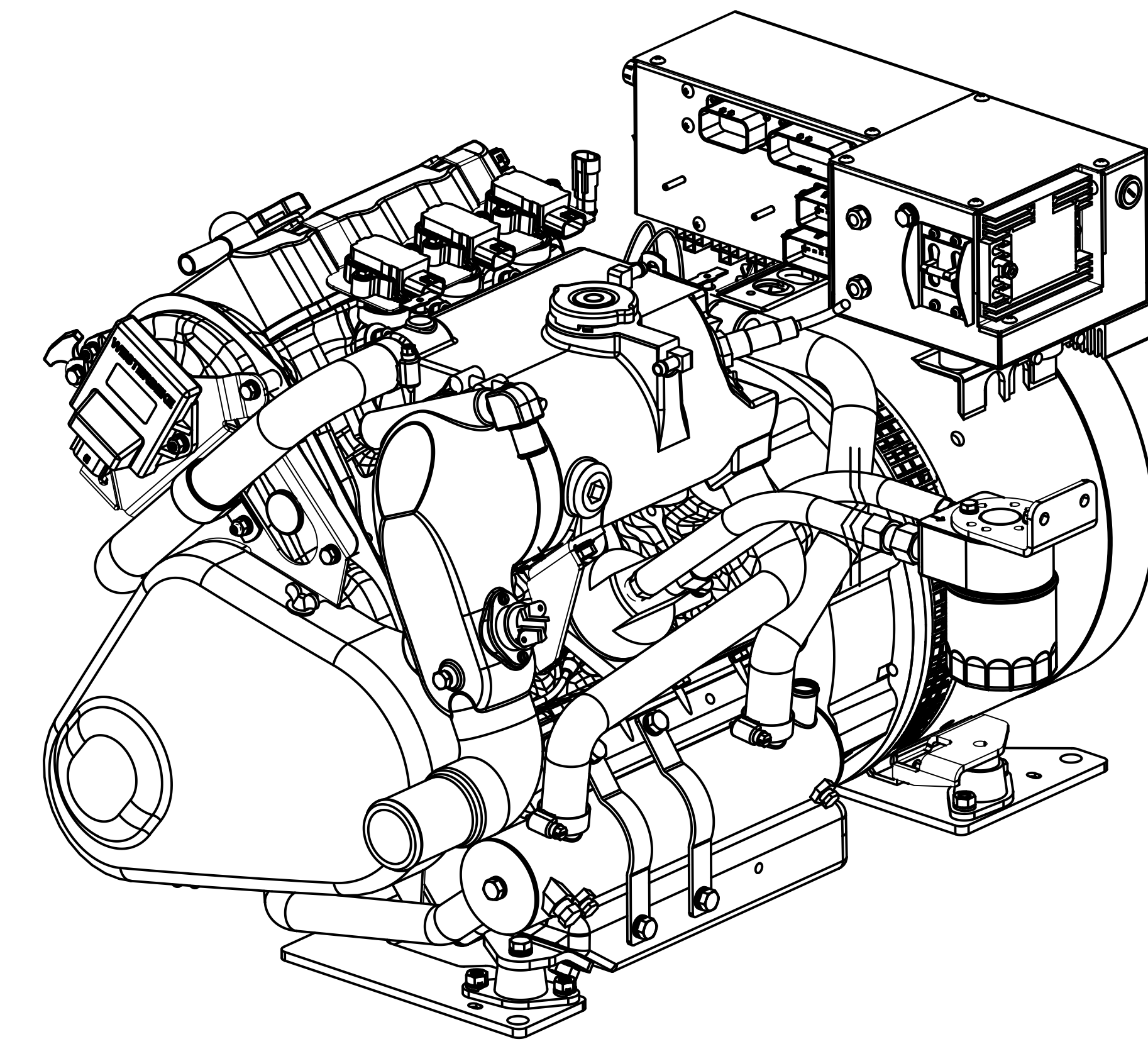
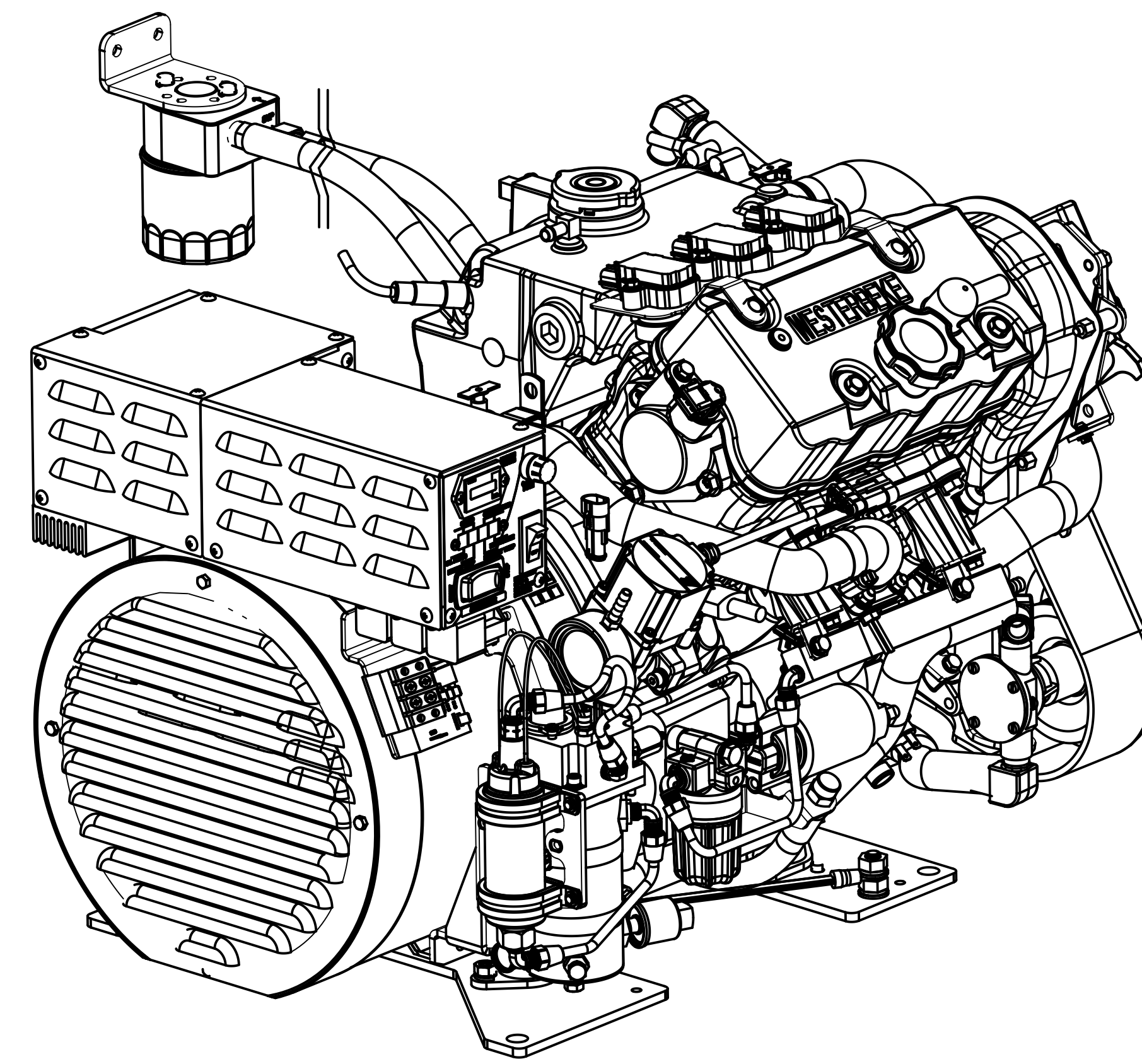
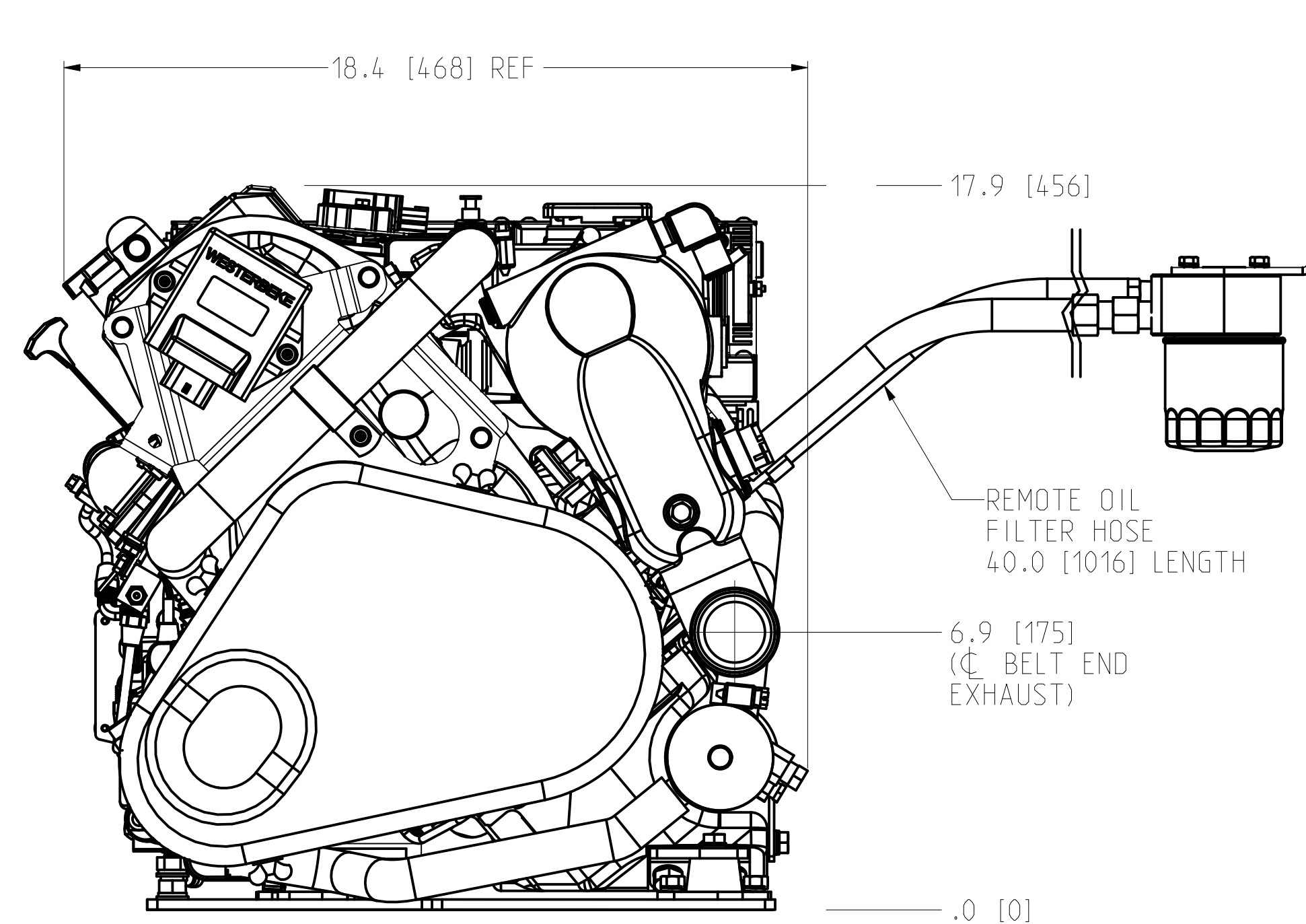


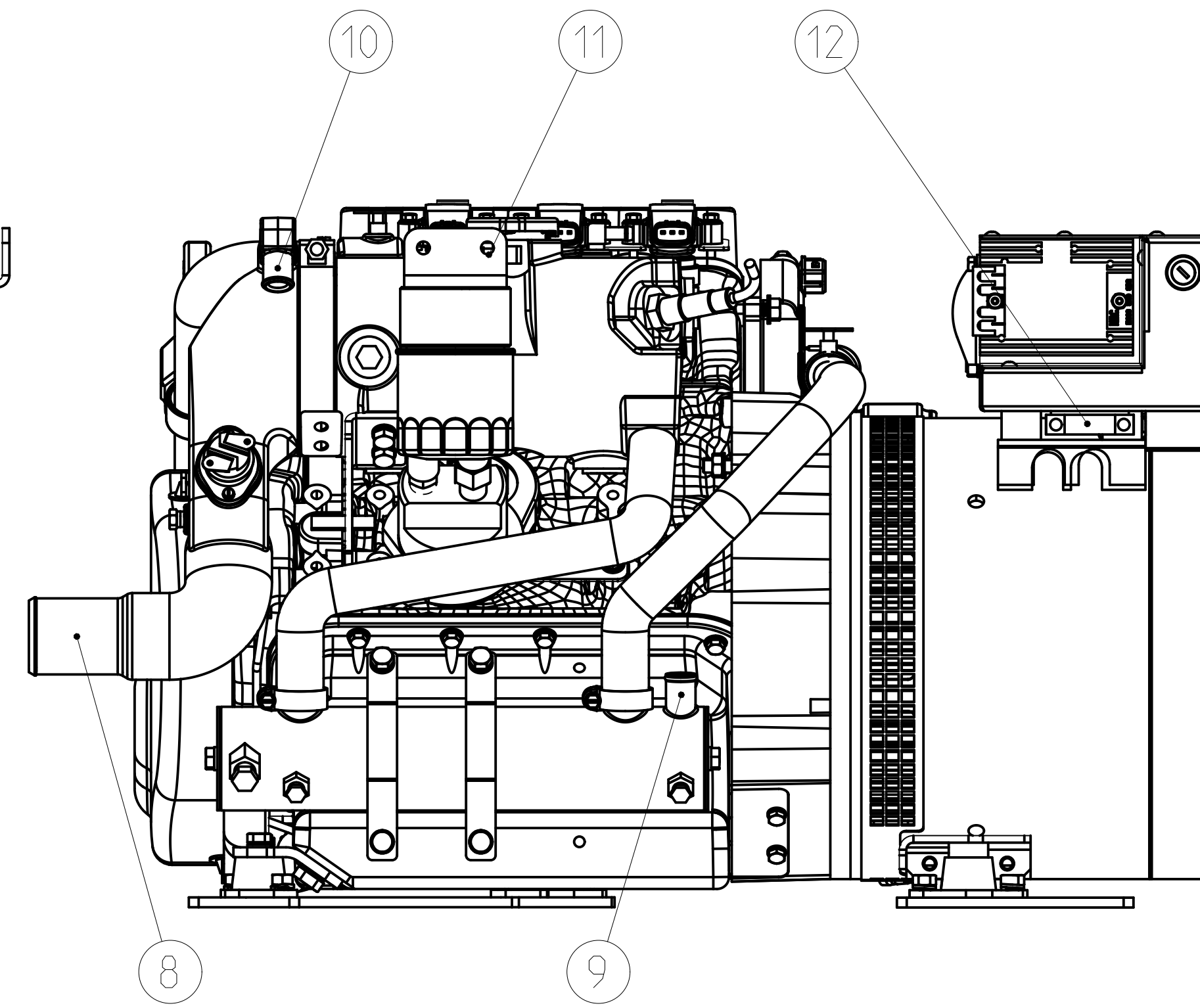
TOP



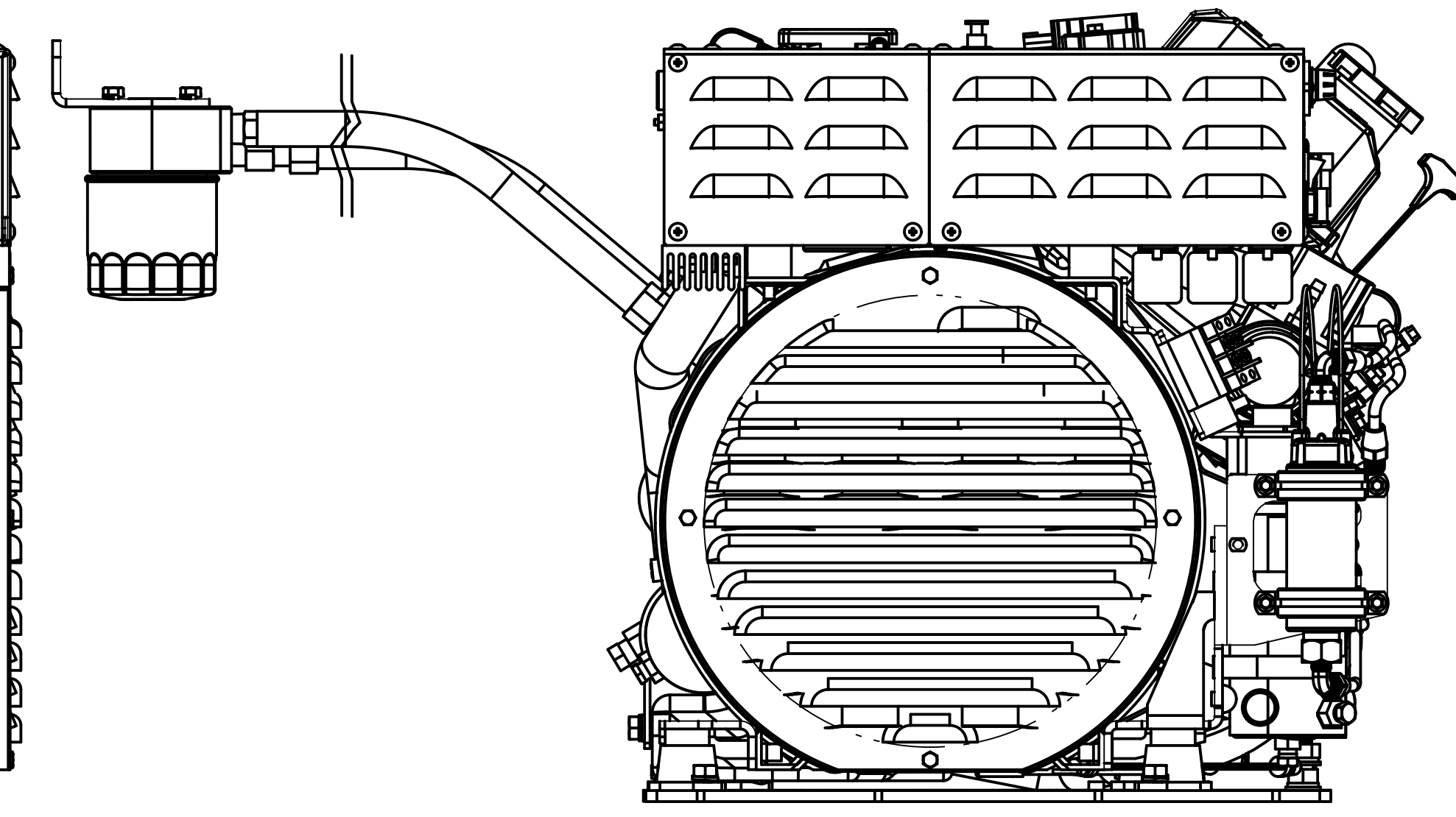
SERVICE SIDE



BELT END

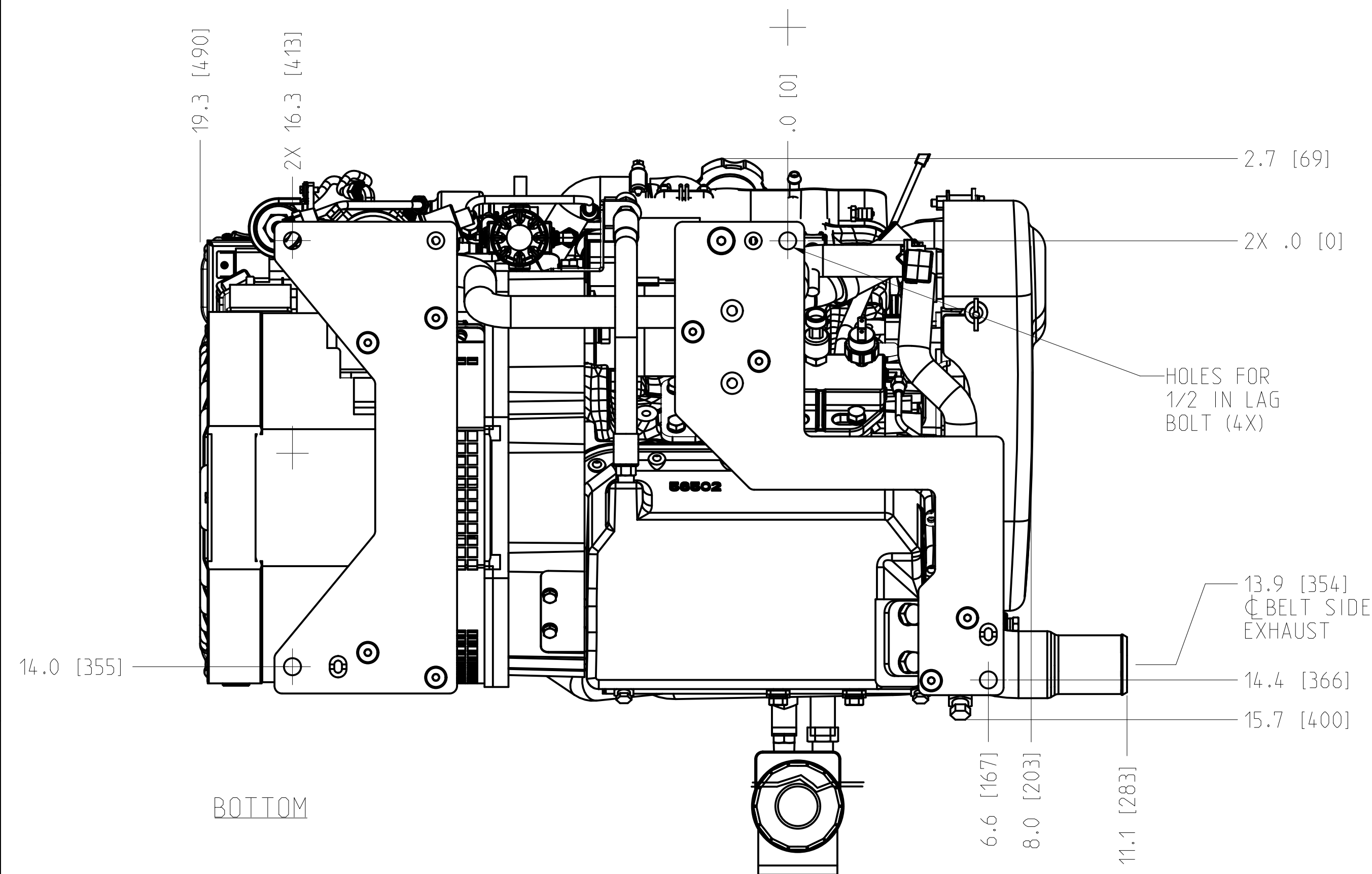


NON-SERVICE SIDE



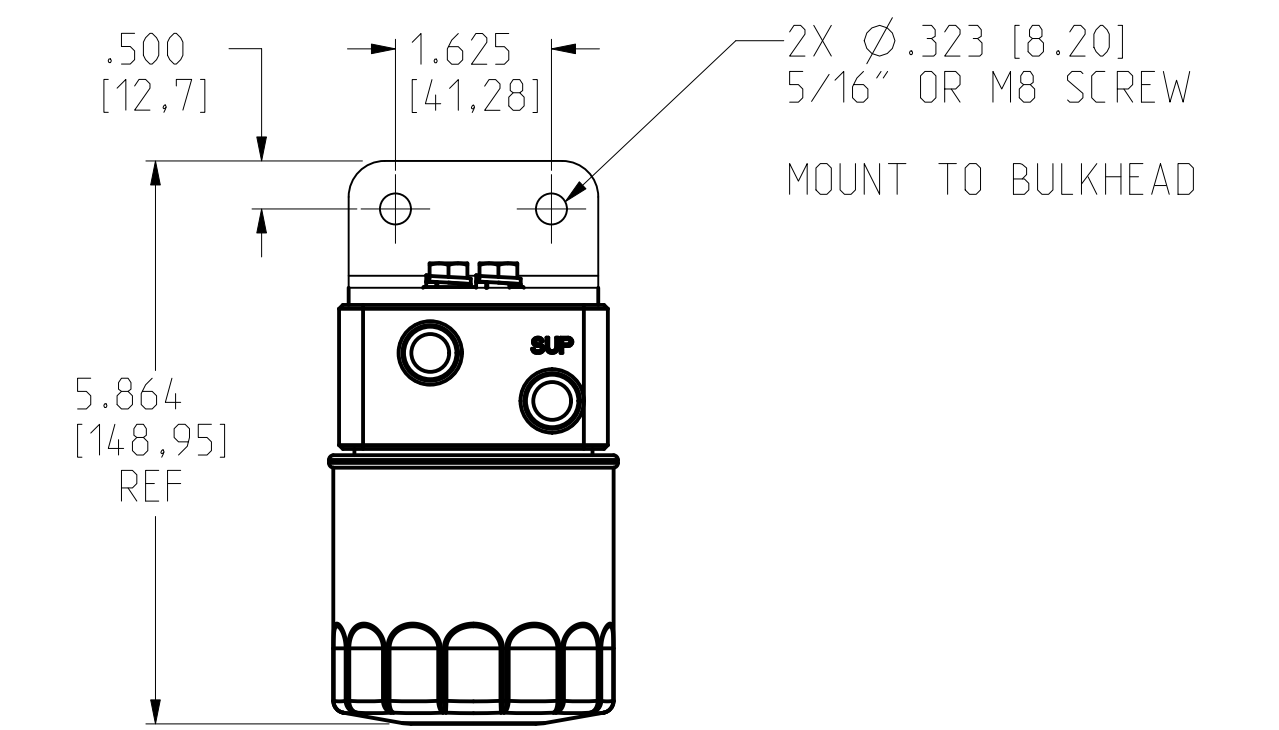
GENERATOR END

SIDE EXHAUST OPTION SHOWN



BOTTOM

ITEM	CONNECTIONS
1	FIRE BOY
2	RAW WATER INLET, REQUIRES 3/4 IN ID HOSE TO CONNECT
3	FUEL LINE, REQUIRES 1/8-27 NPT MALE TO CONNECT
4	BATTERY (POS)
5	BATTERY (NEG)
6	REMOTE PANEL
7	A/C CIRCUIT BREAKER
8	WET EXHAUST, REQUIRES 2 IN ID HOSE TO CONNECT
9	RAW WATER OUTLET (TO SIPHON BREAK), REQUIRES 3/4 IN ID HOSE TO CONNECT
10	RAW WATER INLET (FROM SIPHON BREAK), REQUIRES 3/4 IN ID HOSE TO CONNECT
11	COOLANT OVERFLOW, REQUIRES 5/16 IN ID HOSE TO CONNECT
12	AC POWER



REMOTE OIL FILTER MOUNT

SCALE 0.500

NOTES (UNLESS OTHERWISE SPECIFIED)
 1. UNIT OF DIMENSIONS: INCH (MM)
 2. TOLERANCE: ±.375 [9.5]

TOLERANCES
 UNLESS OTHERWISE SPECIFIED
 DIMENSIONS IN PARENTHESES ARE SECONDARY OR PREFERRED DIMENSIONS

INCHES: .125 (3.175) FRACTIONS: 1/8 (3.175) DECIMALS: .005 (0.127) ANGLES: .5 (14.3) SURFACE FINISH: R 0.25 (6.35) CONCENTRICITY/TOLERANCE: 0.001 (0.025) IN CONCENTRICITY: .001 (0.025)

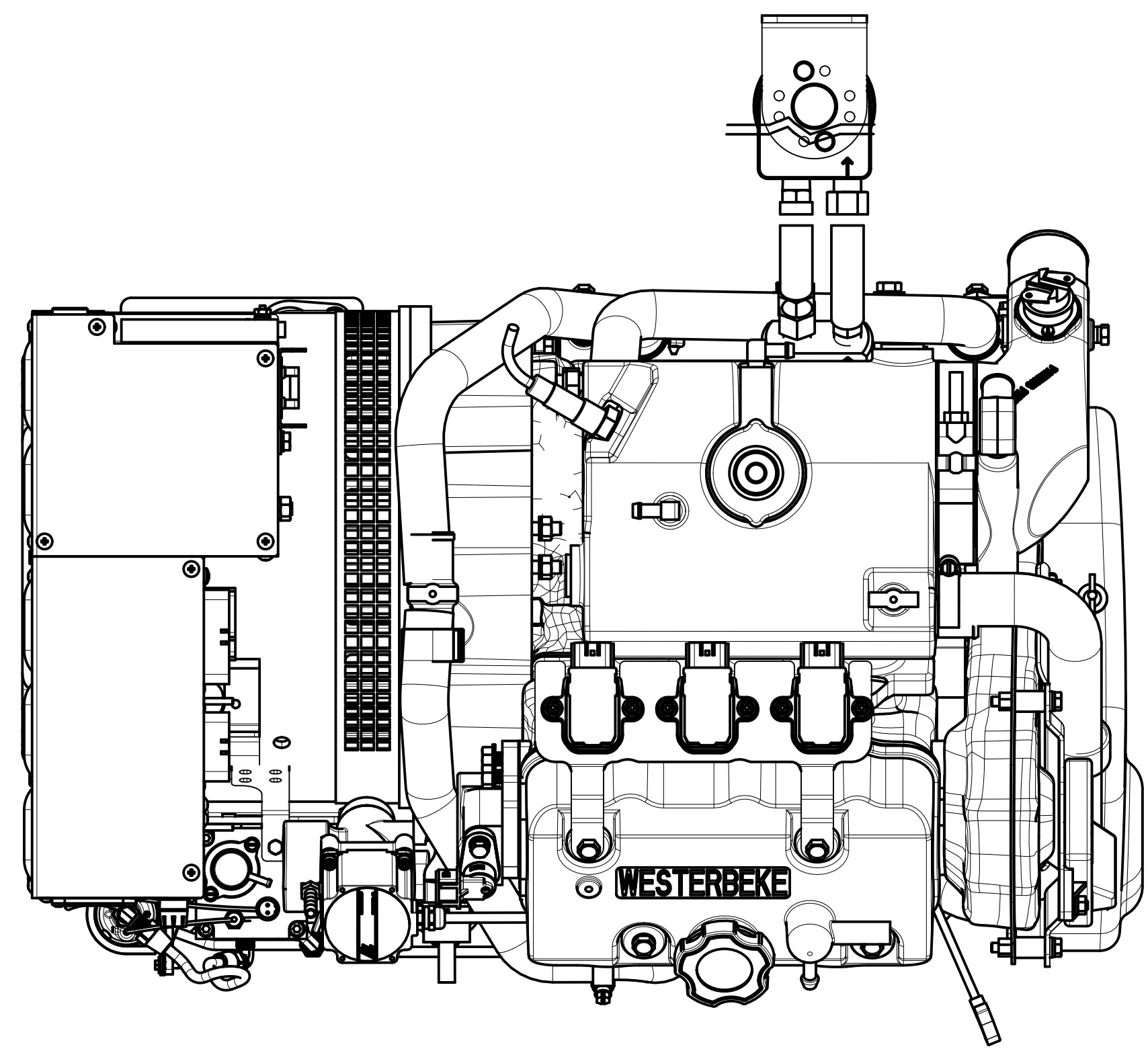
WESTERBEKE
 Engine & Generator

150 JOHN HANCOCK RD.
 FAIRHAVEN, MA 01904
 (508) 453-1931

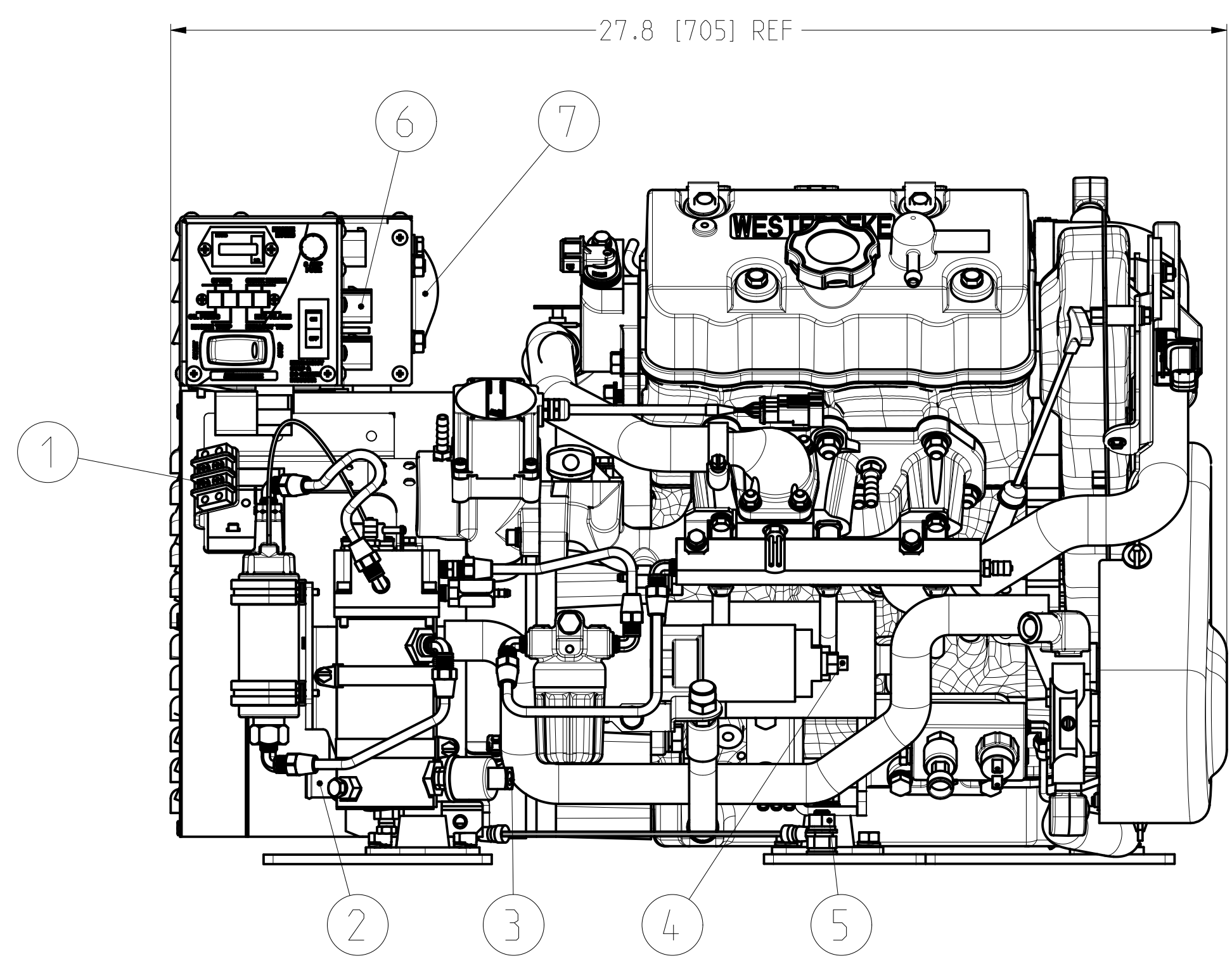
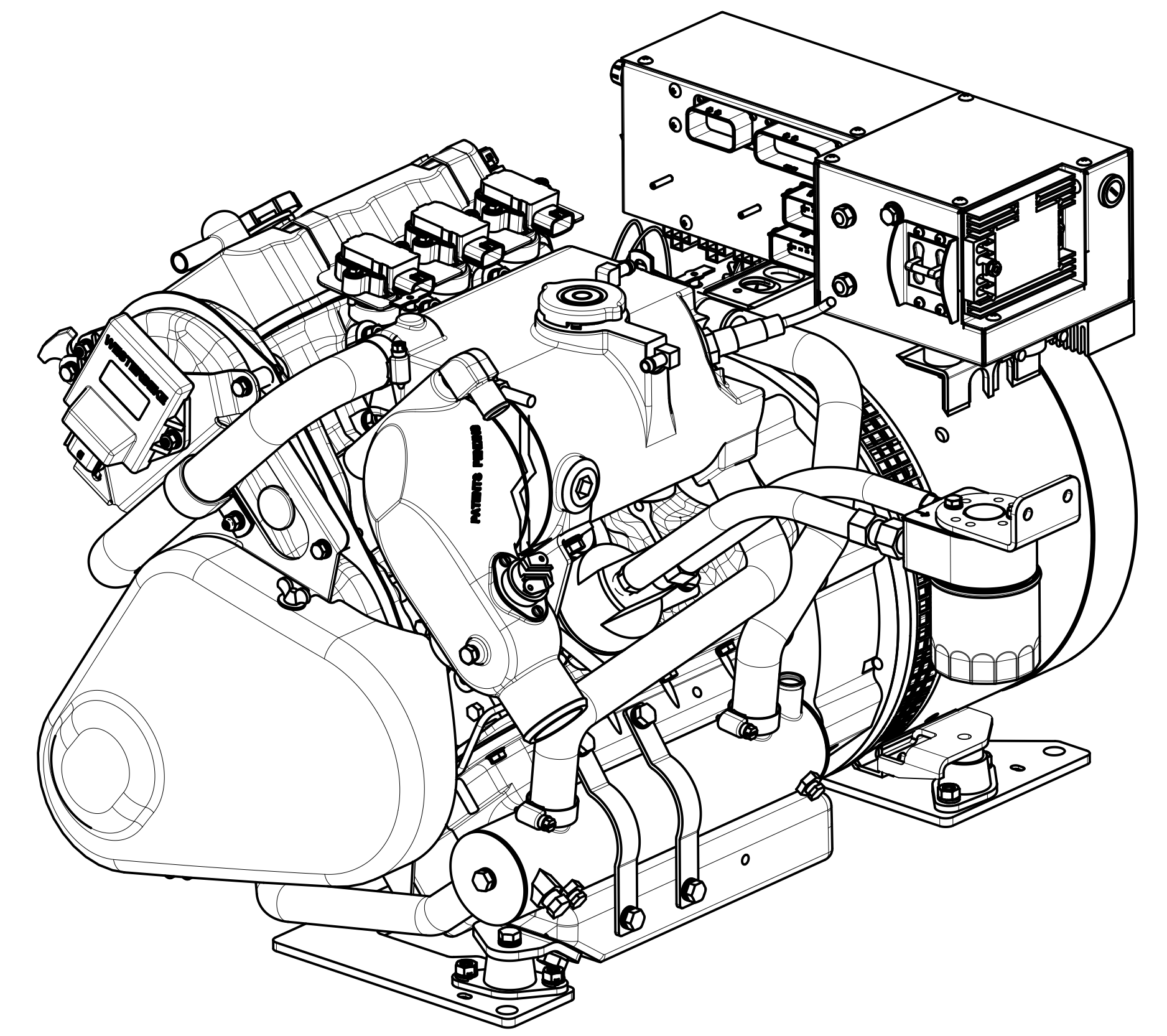
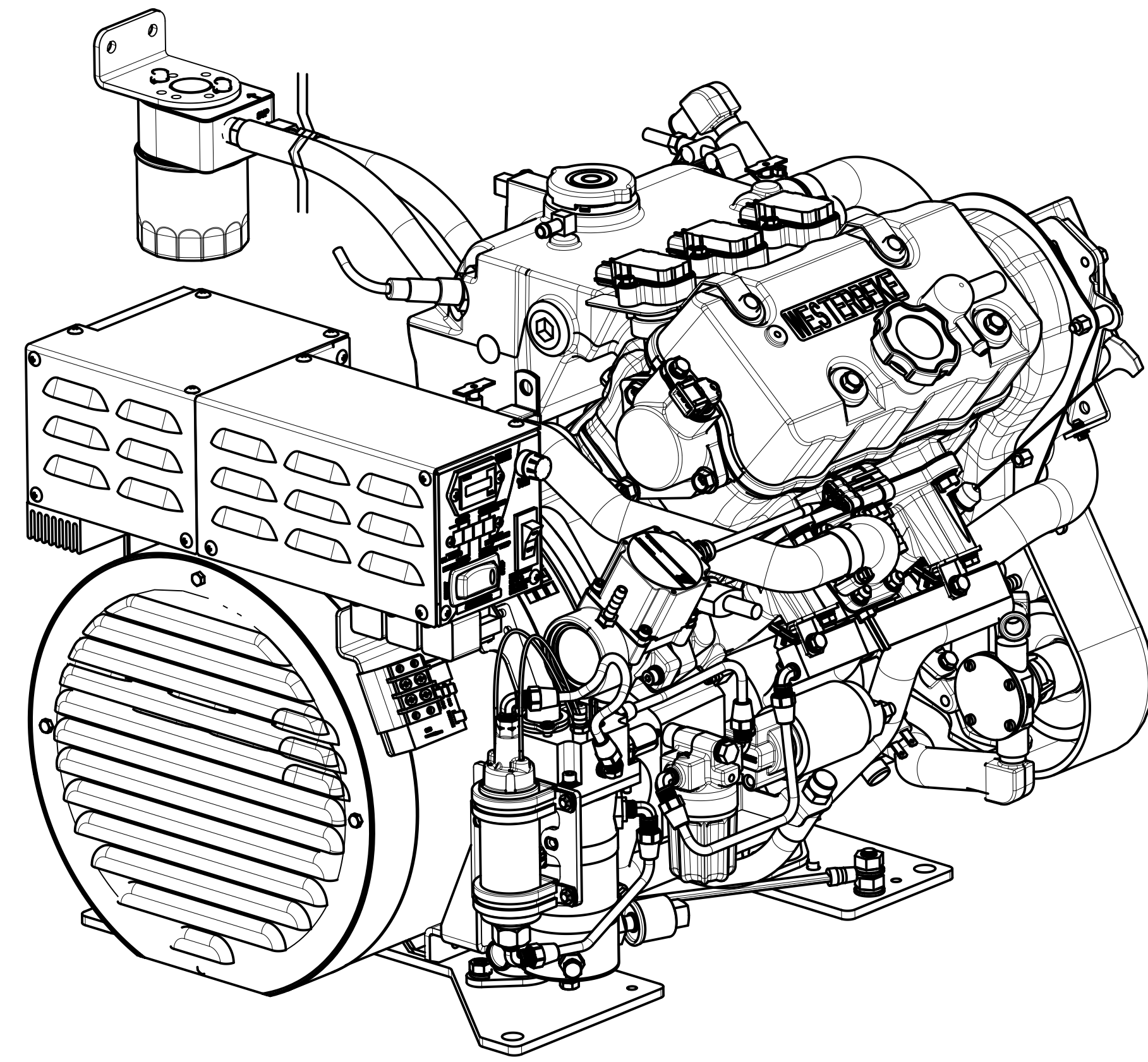
TITLE: DG INSTALL 7.5/6.2 MCGB
 DRAWN BY: EP DATE CREATED: 03/19/2024 MATERIAL: FINISH:
 APPROVED BY: DATE: SIZE: DRAWING NUMBER: REV.
 SCALE 0.312 SHEET 1 OF 2 E 58195 A

THIS DRAWING IS PROPRIETARY TO WESTERBEKE CORP. AND MAY NOT BE REPRODUCED AND/OR COPIED WITH-OUT WRITTEN PERMISSION FROM WESTERBEKE CORP.

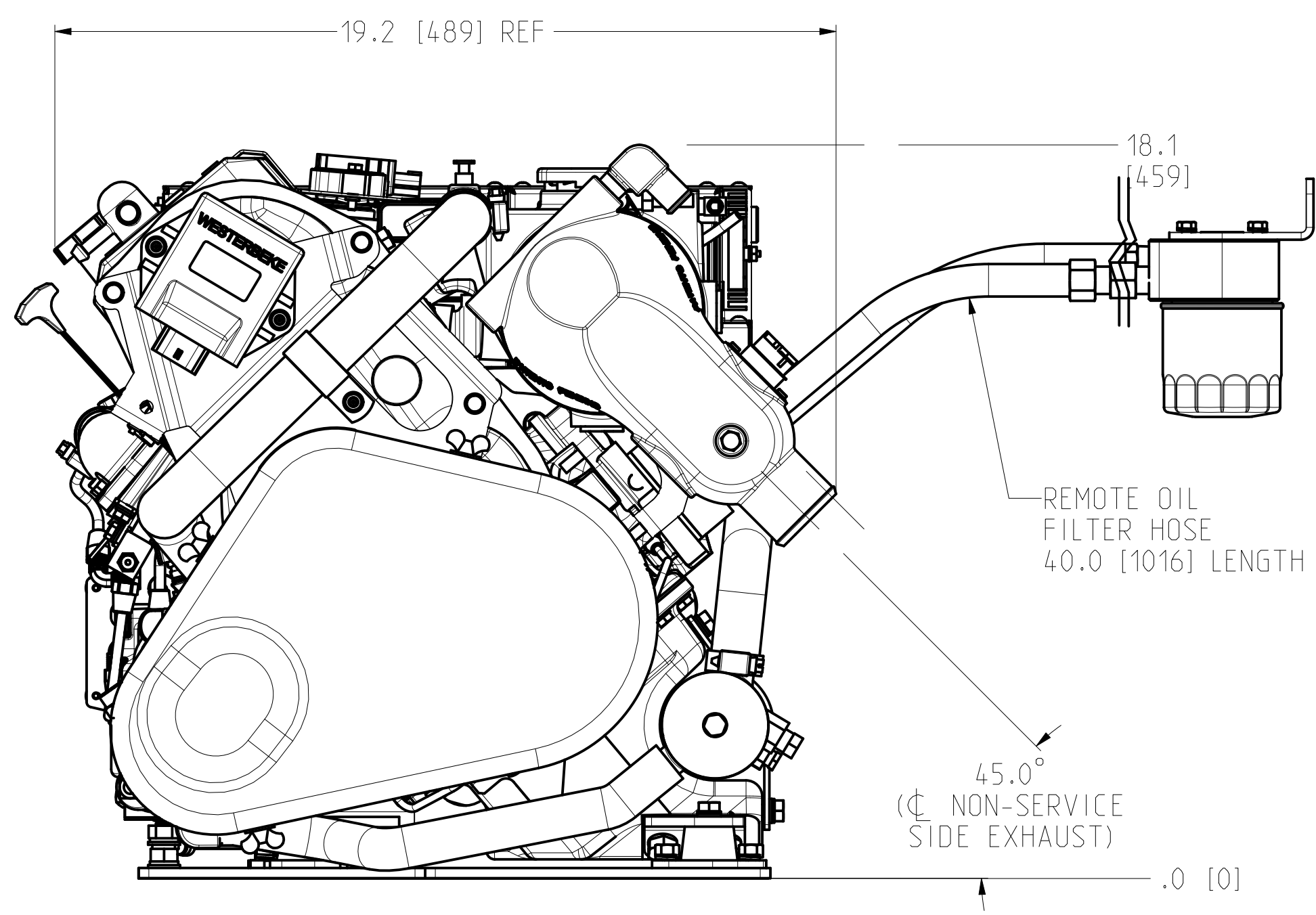
THIRD ANGLE PROJECTION



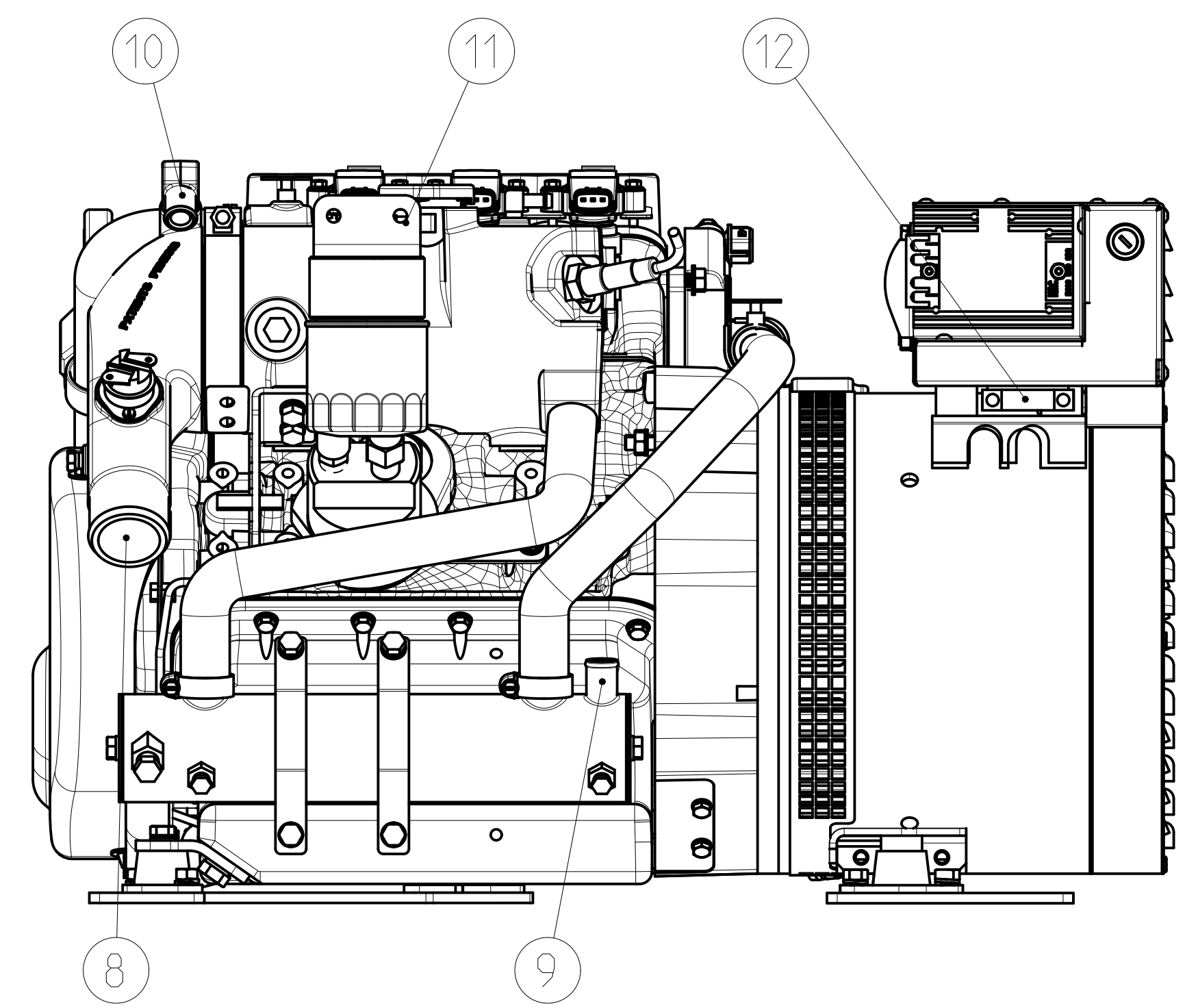
TOP



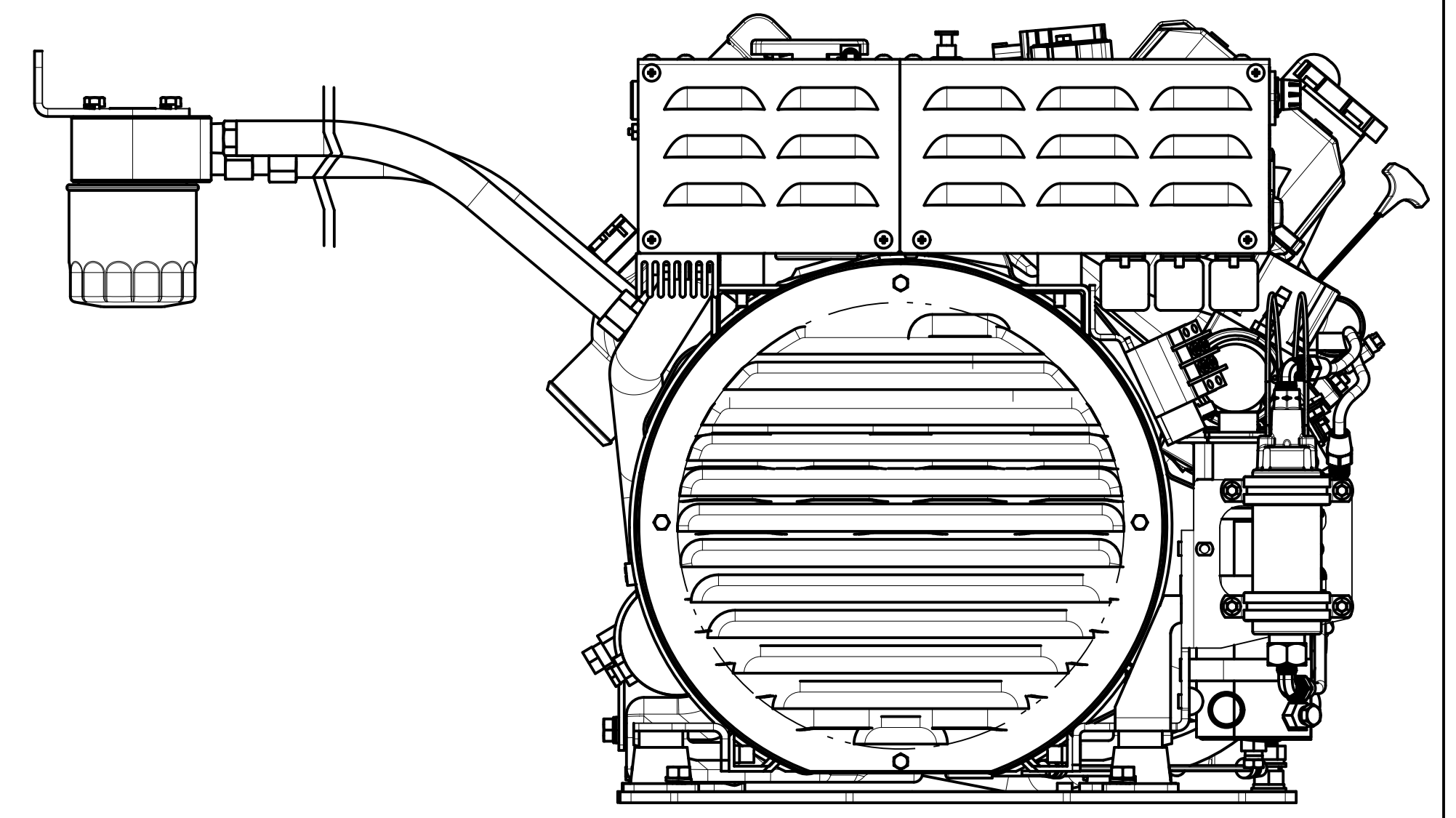
SERVICE SIDE



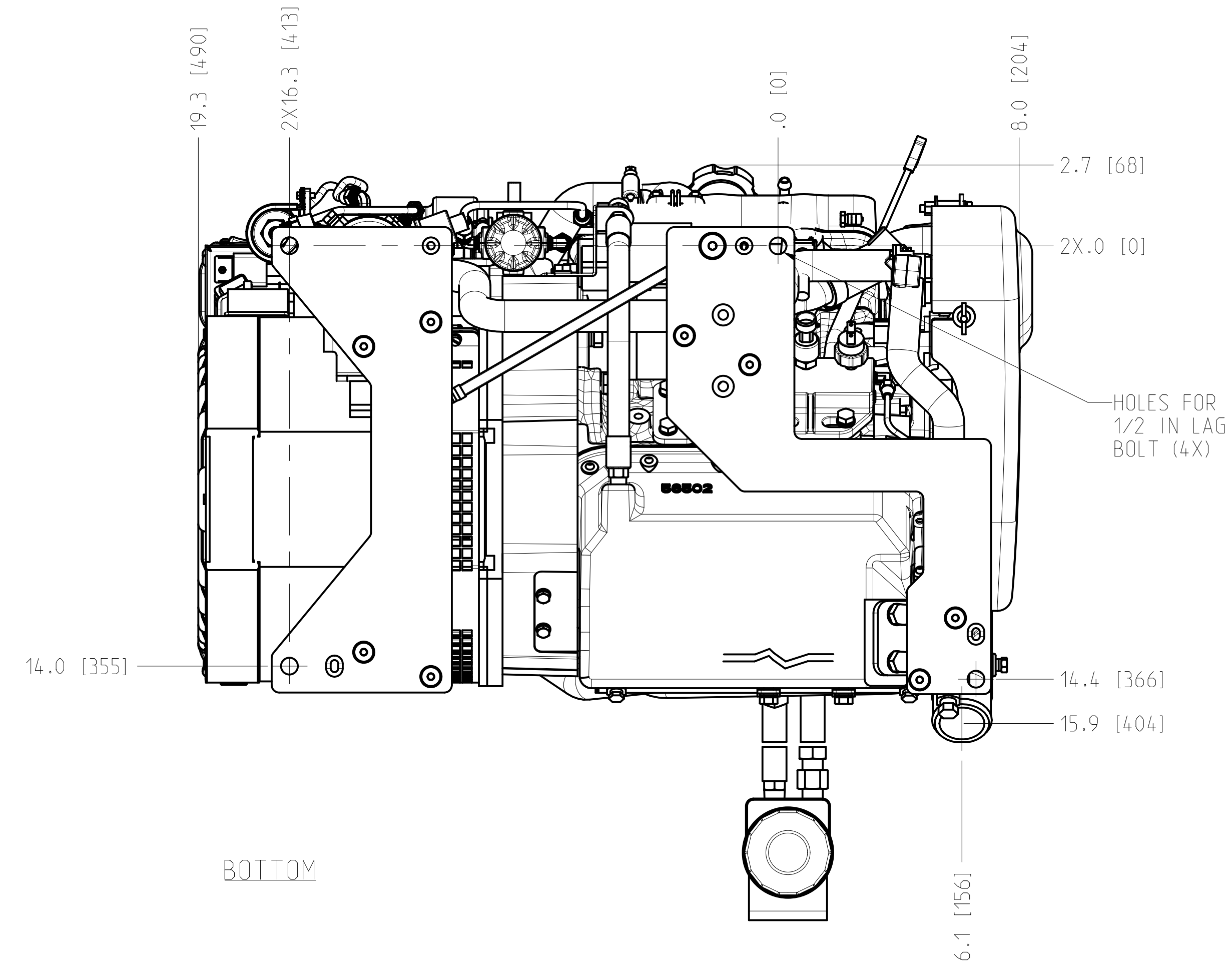
BELT END



NON-SERVICE SIDE



GENERATOR END



BOTTOM

REAR EXHAUST OPTION SHOWN

ITEM	CONNECTIONS
1	FIRE BOY
2	RAW WATER INLET, REQUIRES 3/4 IN ID HOSE TO CONNECT
3	FUEL LINE, REQUIRES 1/8-27 NPT MALE TO CONNECT
4	BATTERY (POS)
5	BATTERY (NEG)
6	REMOTE PANEL
7	A/C CIRCUIT BREAKER
8	WET EXHAUST, REQUIRES 2 IN ID HOSE TO CONNECT
9	RAW WATER OUTLET (TO SIPHON BREAK), REQUIRES 3/4 IN ID HOSE TO CONNECT
10	RAW WATER INLET (FROM SIPHON BREAK), REQUIRES 3/4 IN ID HOSE TO CONNECT
11	COOLANT OVERFLOW, REQUIRES 5/16 IN ID HOSE TO CONNECT
12	AC POWER

NOTES (UNLESS OTHERWISE SPECIFIED)
 1. UNIT OF DIMENSIONS: INCH (MM)
 2. TOLERANCE: ±.375 (9.5)

TOLERANCES UNLESS OTHERWISE SPECIFIED DECIMALS: ±.005 FRACTIONS: ±.005 HOLE DIA: ±.005 CONCENTRICITY: 0.01 IN DIA SURFACE FINISH: 32		WESTERBEKE Engines & Generators 150 JOHN HANCOCK RD. FAIRHAVEN, MA 01924 (508) 453-1931	
TITLE: DGINSTALL 7.5/6.2 MCGB DRAWN BY: EP DATE CREATED: 01/31/2024 APPROVED BY: [Signature] SCALE: 0.312 SHEET: 2 OF 2		MATERIAL: [Blank] FINISH: [Blank] DATE: [Blank] DRAWING NUMBER: 58195 REV: A	

THIS DRAWING IS PROPRIETARY TO WESTERBEKE CORP. AND MAY NOT BE REPRODUCED AND/OR COPIED WITHOUT WRITTEN PERMISSION FROM WESTERBEKE CORP.